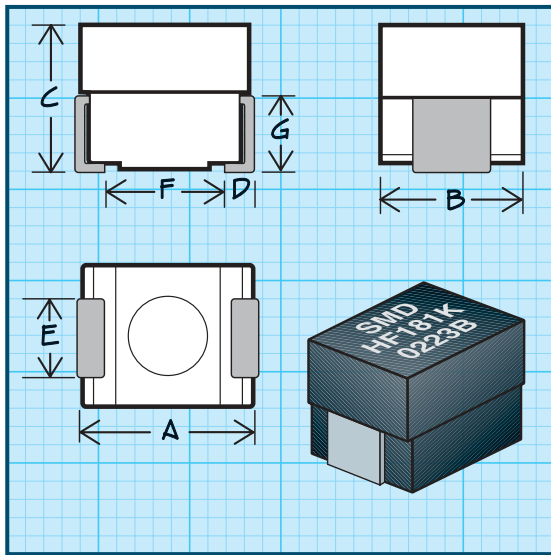


Series 1008HF

Unshielded Surface Mount Inductors



Physical Parameters

	Inches	Millimeters
A	0.095 to 0.115	2.41 to 2.92
B	0.085 to 0.105	2.16 to 2.66
C	0.075 to 0.095	1.91 to 2.41
D	0.010 to 0.030	0.26 to 0.76
E	0.040 to 0.060	1.02 to 1.52
F	0.060 (Ref. only)	1.52 (Ref. only)
G	0.045 (Ref. only)	1.14 (Ref. only)

Dimensions "A" and "C" are over terminals.

Weight Max. (Grams) 0.1

Operating Temperature Range -55°C to +125°C

Current Rating at 90°C Ambient 35°C Rise

Maximum Power Dissipation at 90°C

Non-magnetic: 0.169 W

Ferrite: 0.208 W

Note Consult factory for custom applications

Packaging Tape & reel (8mm): 7" reel, 2000 pieces max.; 13" reel, 7000 pieces max.

Made In the U.S.A. Patent Protected

PART NUMBER	INDUCTANCE (nH)	TOLERANCE	Q MINIMUM	TEST FREQUENCY (MHz)	SRF MINIMUM (MHz)	DC RESISTANCE MAXIMUM (OHMS)	CURRENT RATING MAX. (mA)
SERIES 1008HF NON-MAGNETIC CORE							
1008HF-047M	4.7	±20%	40	50	>3000	0.070	1320
1008HF-082M	8.2	±20%	40	50	>3000	0.075	1275
1008HF-100M	10.0	±20%	30	50	>3000	0.080	1235
1008HF-120M	12.0	±20%	30	50	2700	0.105	1075
1008HF-150M	15.0	±20%	30	50	2400	0.110	1053
1008HF-180M	18.0	±20%	30	50	2250	0.130	965
1008HF-220M	22.0	±20%	30	50	2000	0.135	950
1008HF-270M	27.0	±20%	30	50	1800	0.140	930
1008HF-330M	33.0	±20%	30	50	1600	0.150	900
1008HF-390M	39.0	±20%	30	50	1500	0.160	870
1008HF-470M	47.0	±20%	30	50	1350	0.170	847
1008HF-560K	56.0	±10%	20	50	1200	0.370	570
1008HF-680K	68.0	±10%	20	50	1050	0.400	550
1008HF-820K	82.0	±10%	15	50	1000	0.800	390
1008HF-101K	100	±10%	15	25	900	0.850	375

PART NUMBER	INDUCTANCE (nH)	TOLERANCE	Q MINIMUM	TEST FREQUENCY (MHz)	SRF MINIMUM (MHz)	DC RESISTANCE MAXIMUM (OHMS)	CURRENT RATING MAX. (mA)
SERIES 1008HF FERRITE CORE							
1008HF-121K	120	±10%	30	25	850	0.910	405
1008HF-151K	150	±10%	30	25	800	0.950	395
1008HF-181K	180	±10%	30	25	700	1.05	375
1008HF-221K	220	±10%	30	25	600	1.15	360
1008HF-271K	270	±10%	30	25	550	1.25	345
1008HF-331K	330	±10%	30	25	500	1.35	330
1008HF-391K	390	±10%	30	25	465	1.45	320
1008HF-471K	470	±10%	30	25	425	1.55	310
1008HF-561K	560	±10%	30	25	415	1.65	300
1008HF-621K	620	±10%	30	25	375	1.75	290
1008HF-681K	680	±10%	30	25	340	1.85	280
1008HF-751K	750	±10%	30	25	330	1.95	275
1008HF-821K	820	±10%	30	25	325	2.00	273
1008HF-911K	910	±10%	30	25	305	2.05	270
1008HF-102K	1000	±10%	30	25	290	1.40	325
1008HF-122K	1200	±10%	30	7.9	200	1.45	320
1008HF-152K	1500	±10%	30	7.9	165	1.50	315
1008HF-182K	1800	±10%	30	7.9	150	1.60	305
1008HF-222K	2200	±10%	30	7.9	120	1.65	300
1008HF-272K	2700	±10%	30	7.9	110	1.80	285
1008HF-332K	3300	±10%	30	7.9	60	1.90	280
1008HF-392K	3900	±10%	30	7.9	50	1.95	275
1008HF-472K	4700	±10%	30	7.9	40	2.00	273

Optional Tolerances: J = 5% H = 3% G = 2% F = 1%